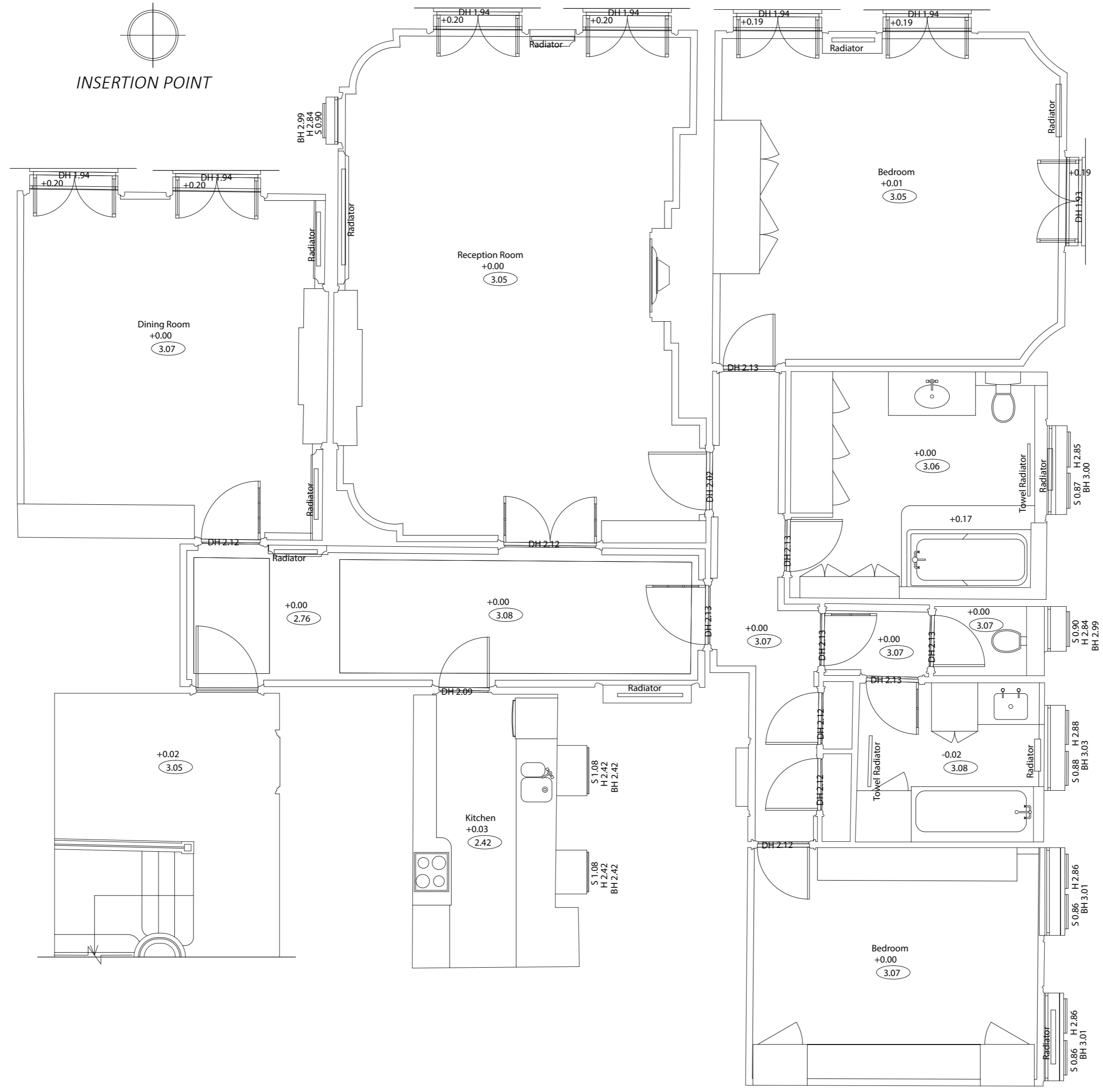
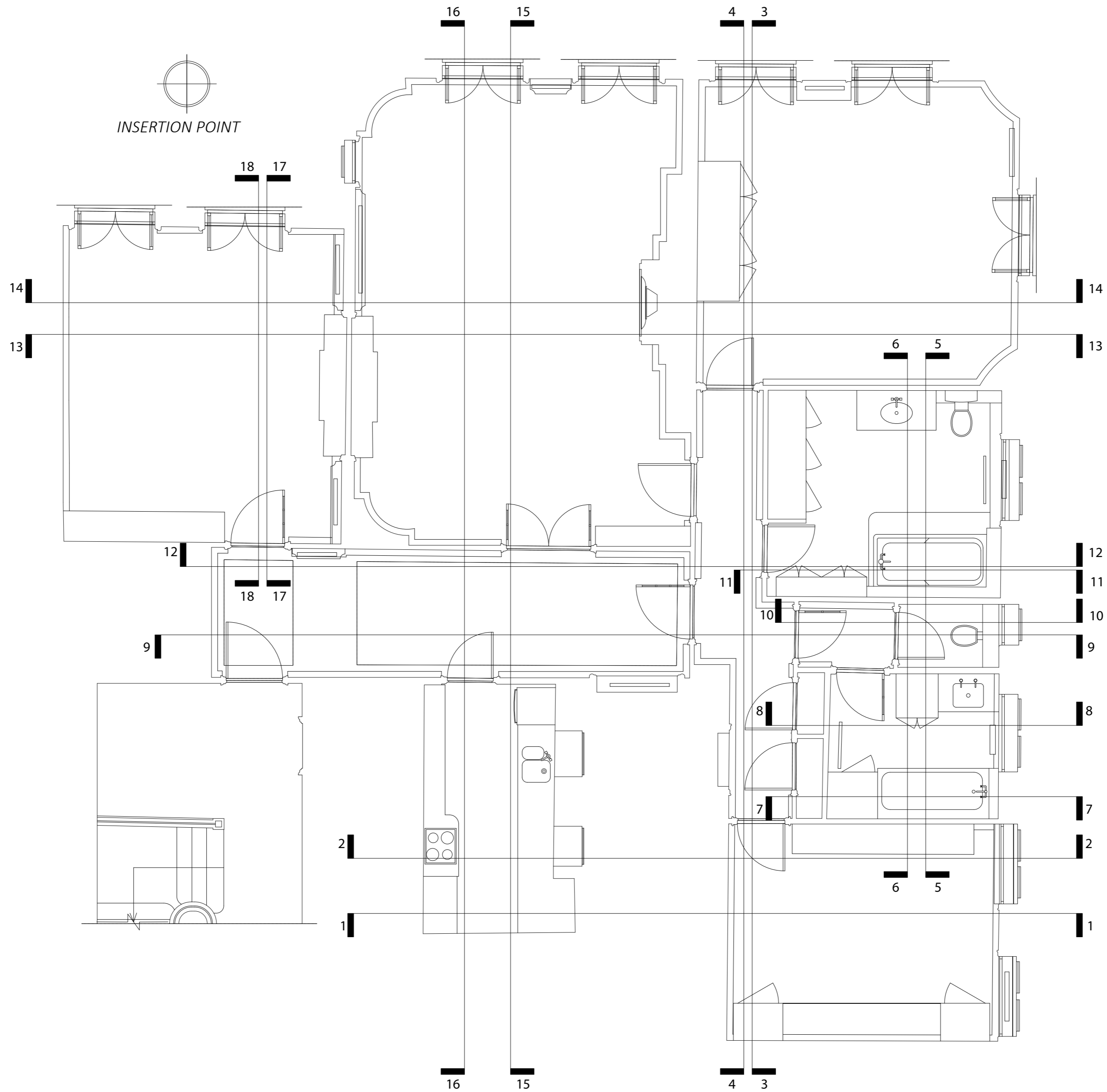


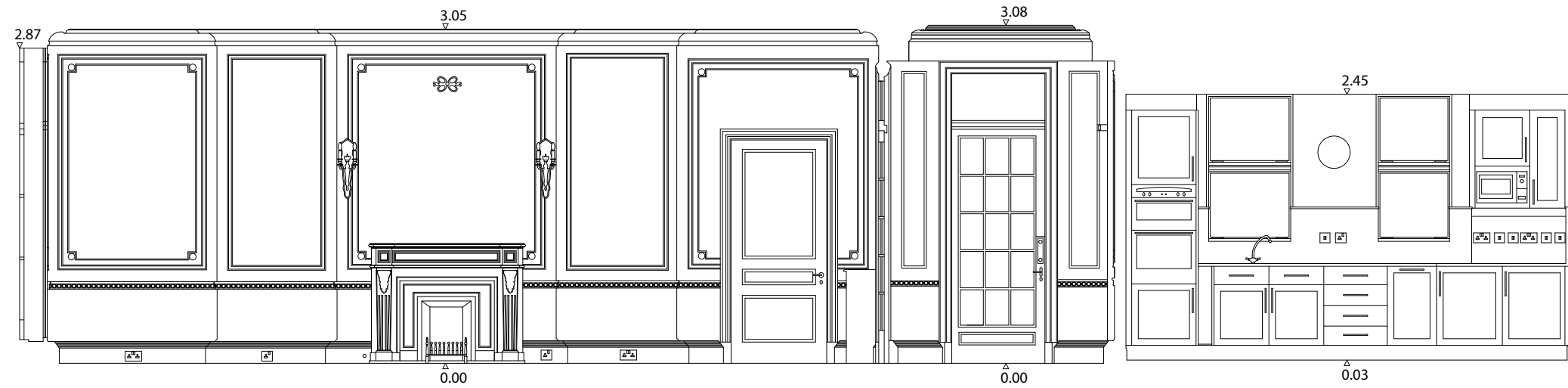
Floor Plan



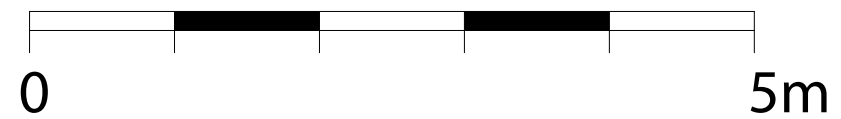
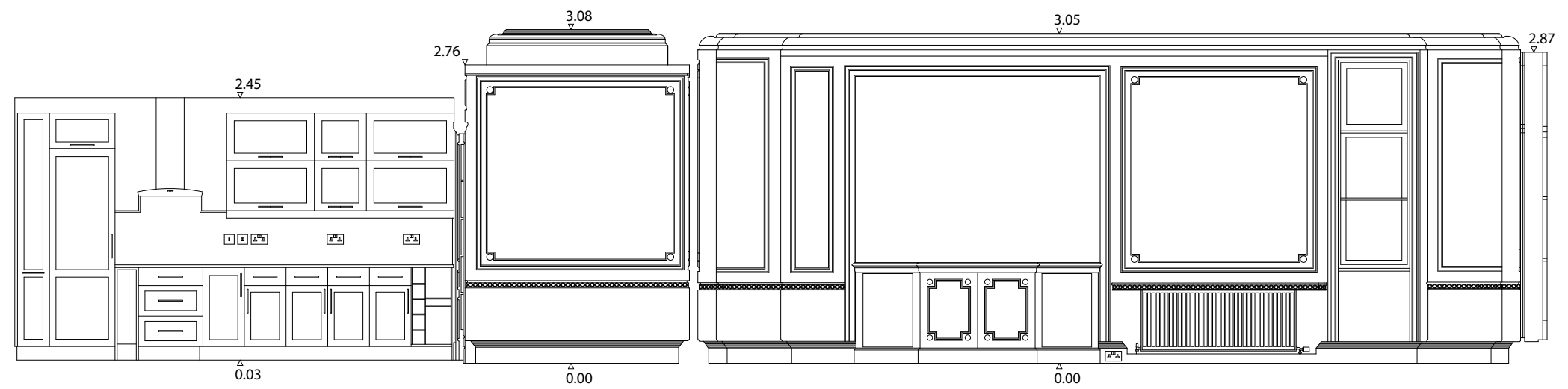
Section Positions And Names



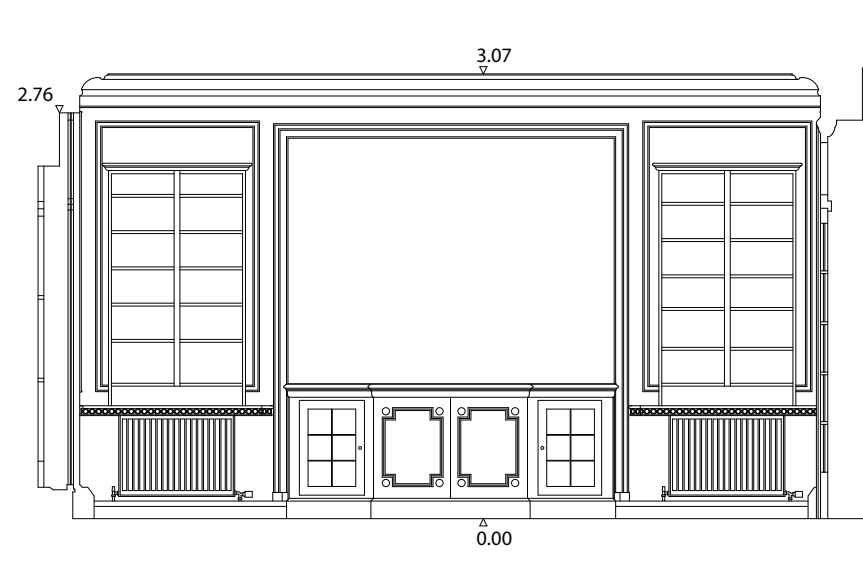
Section 15-15



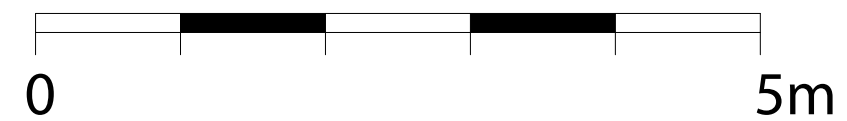
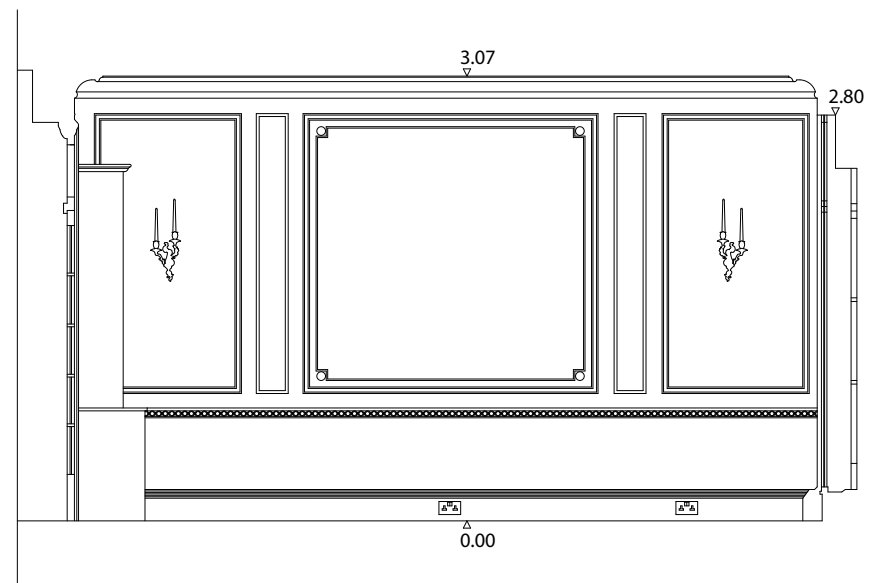
Section 16-16

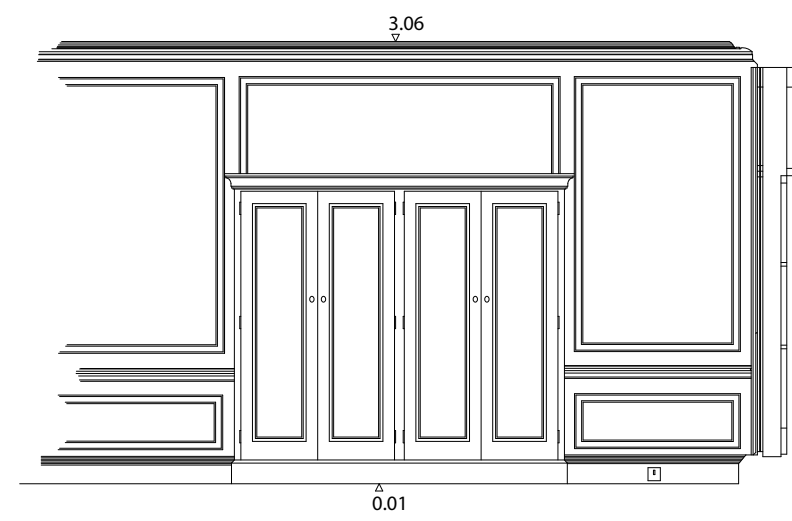
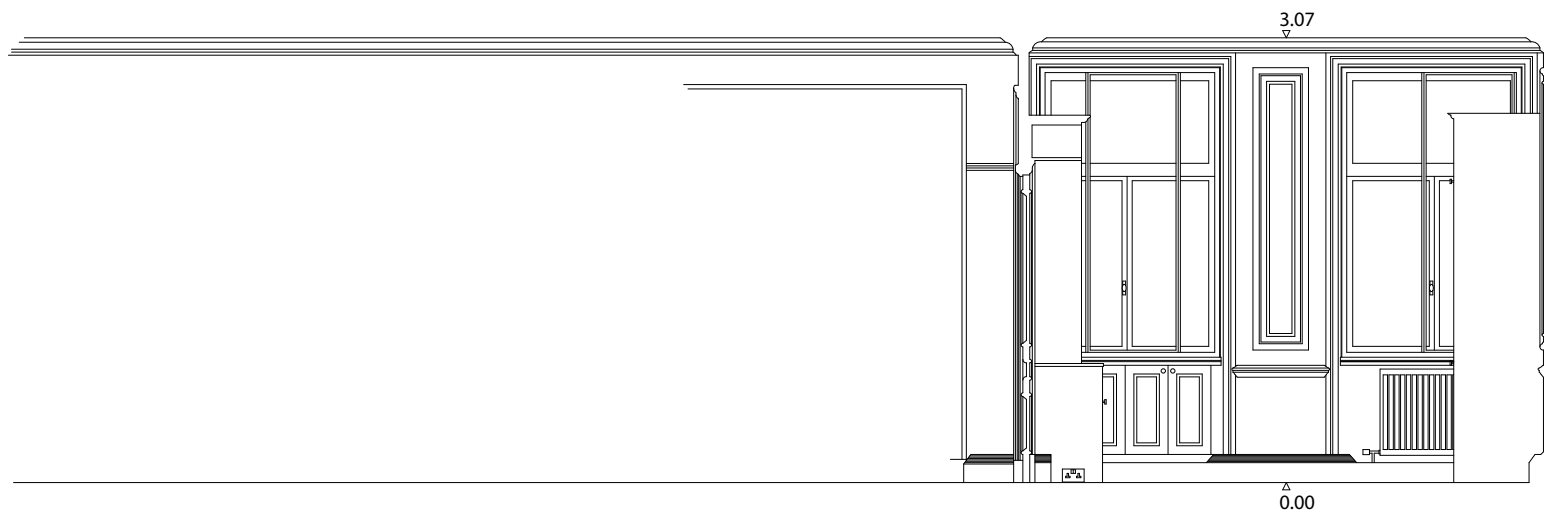


Section 17-17

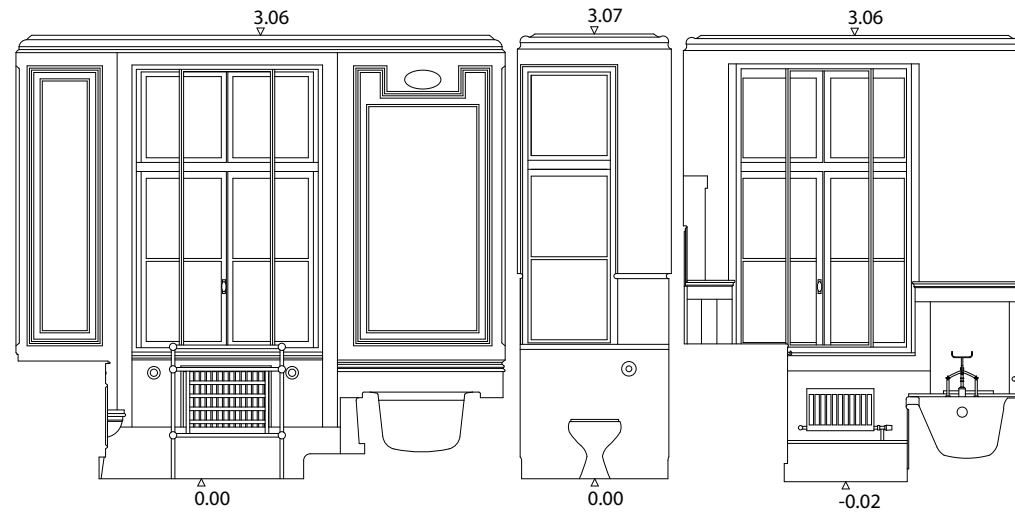


Section 18-18

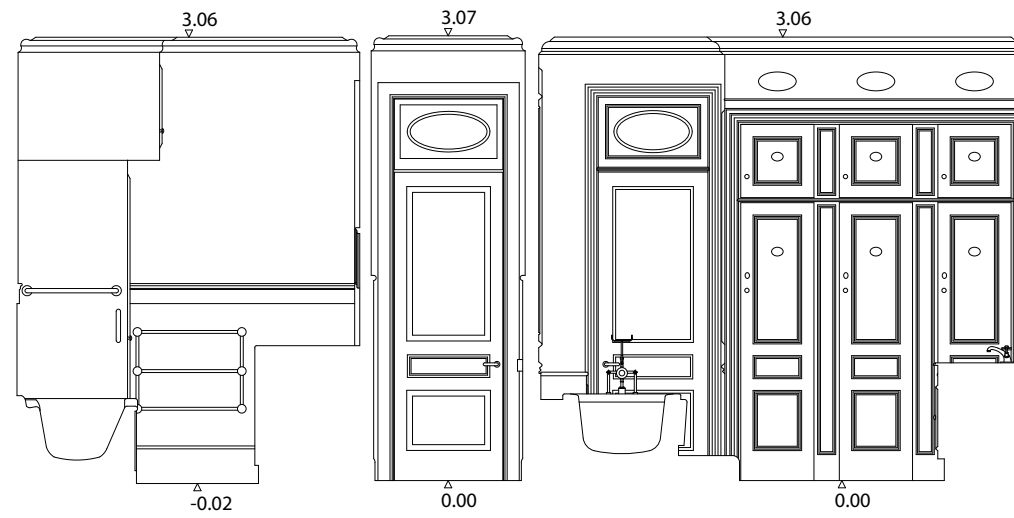




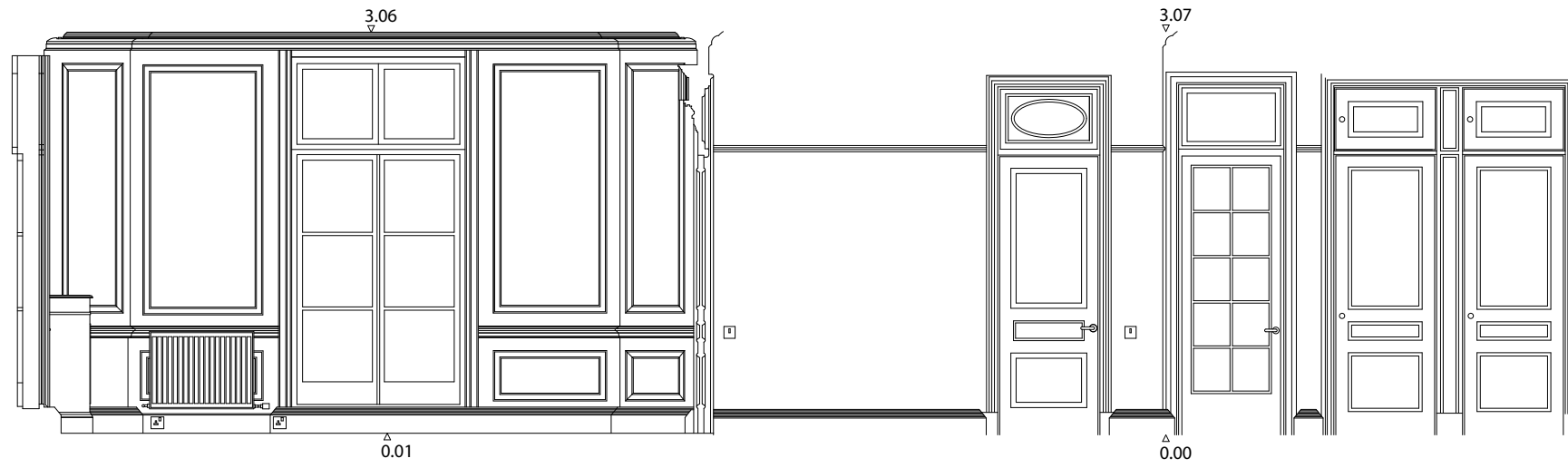
Section 5-5



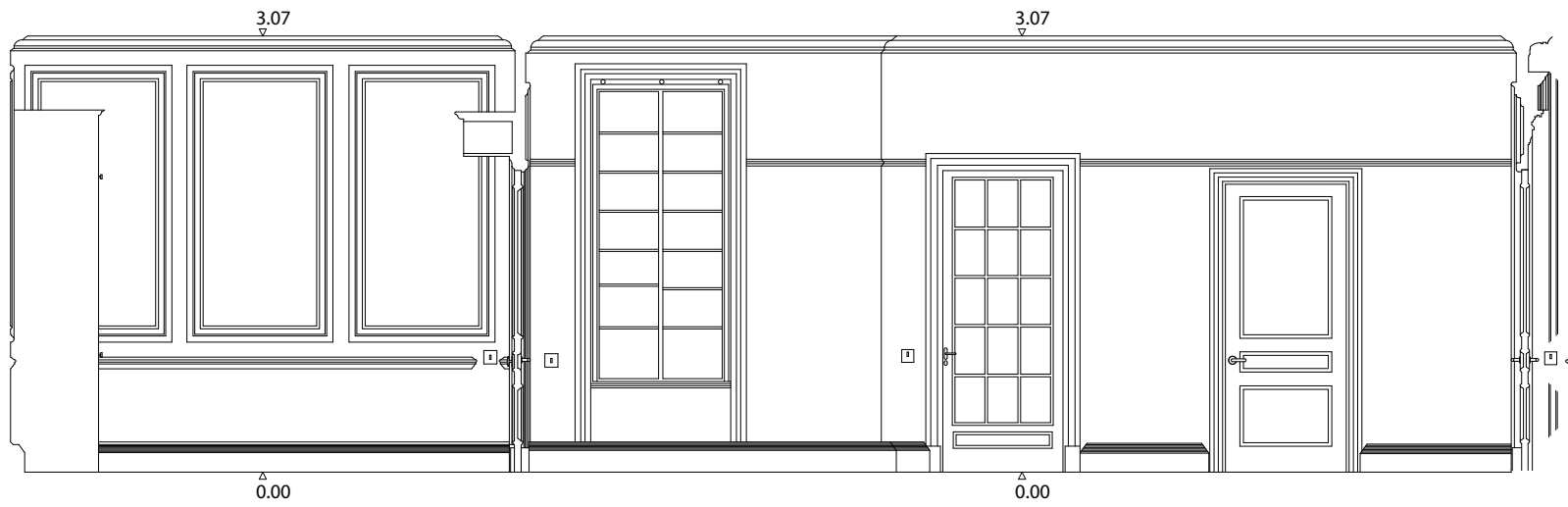
Section 6-6



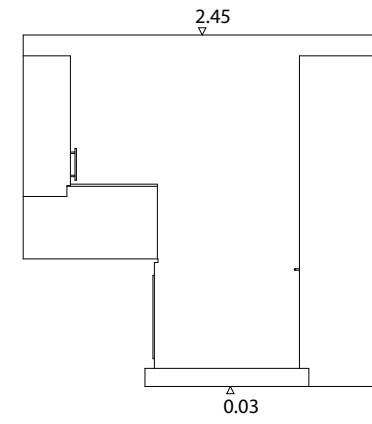
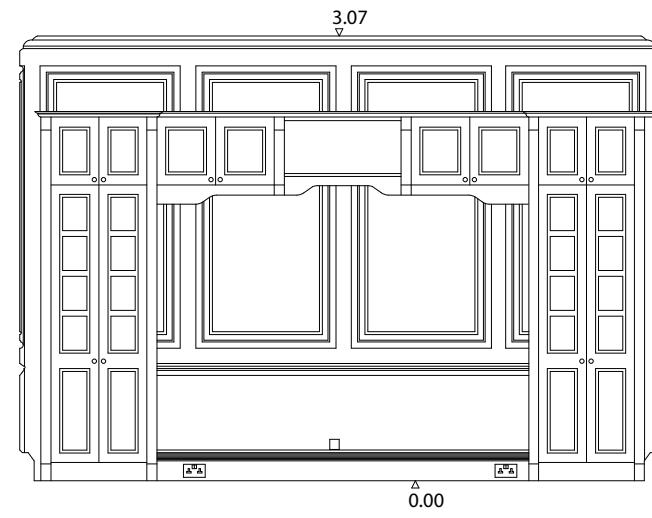
Section 3-3



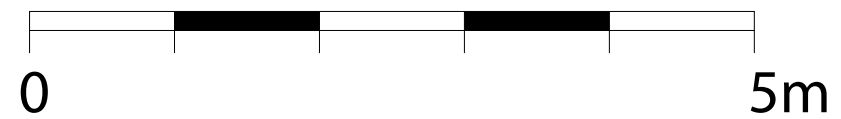
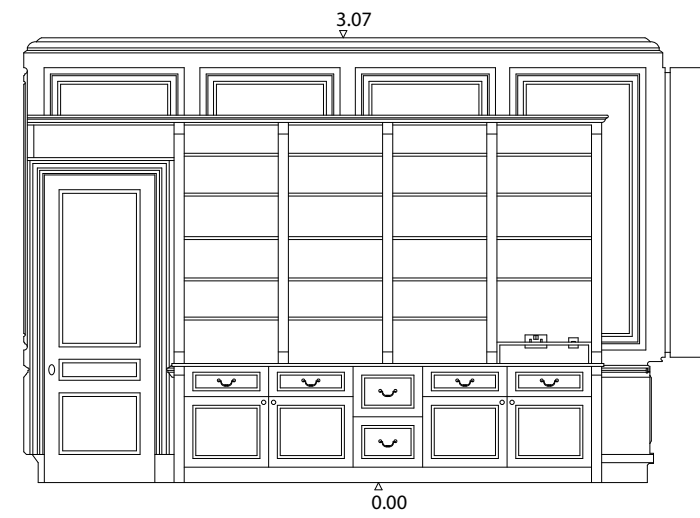
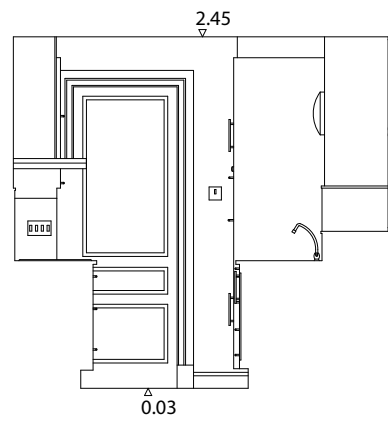
Section 4-4



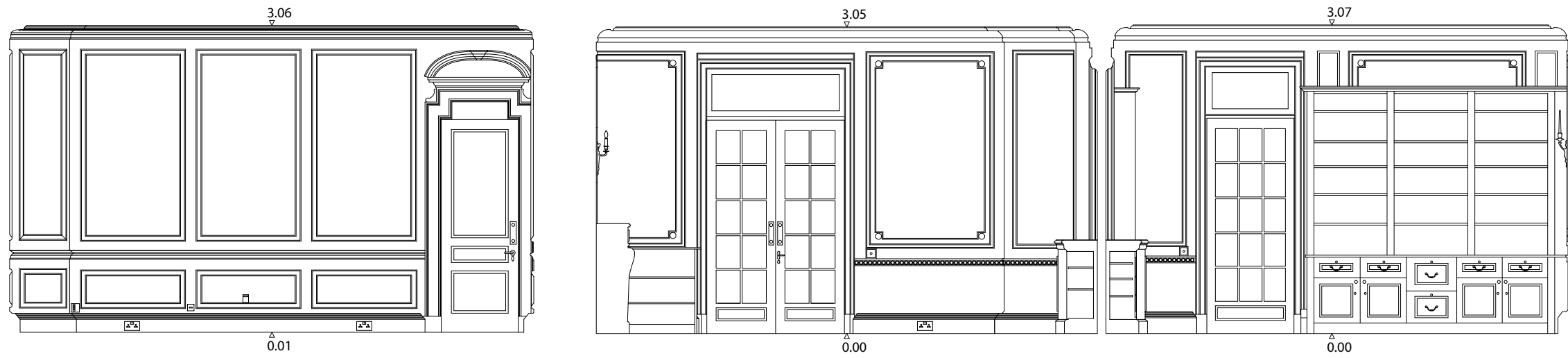
Section 1-1



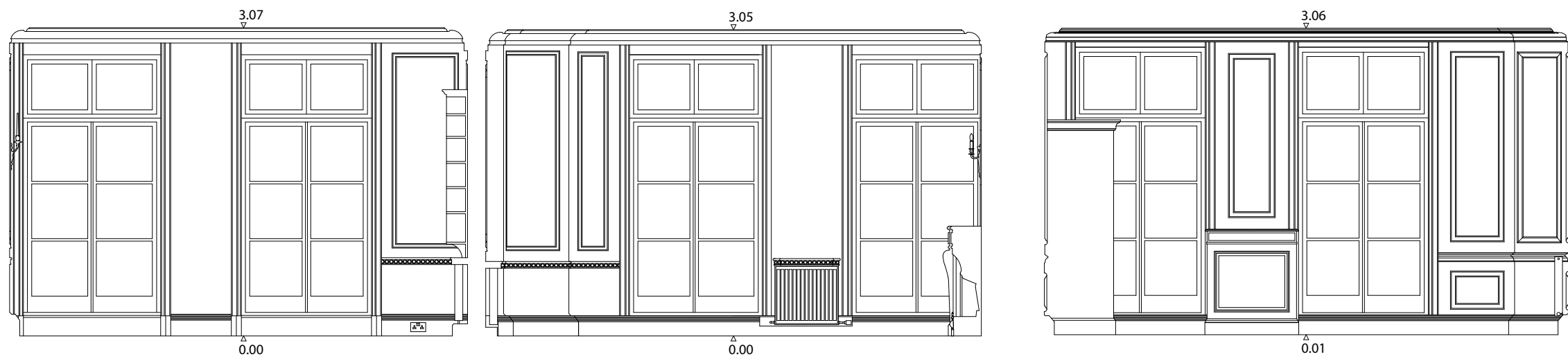
Section 2-2



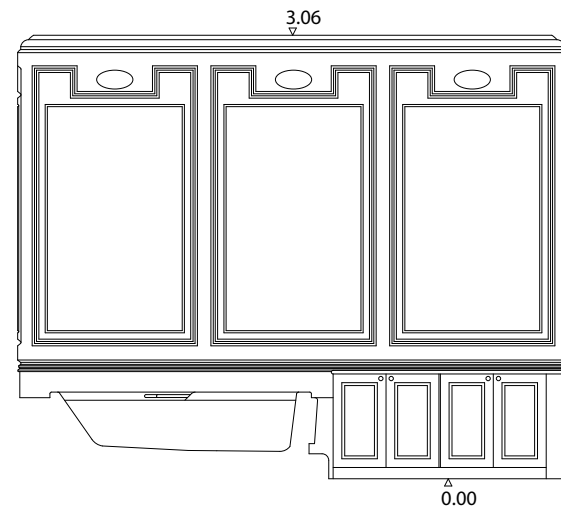
Section 13-13



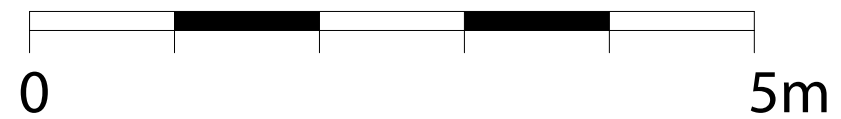
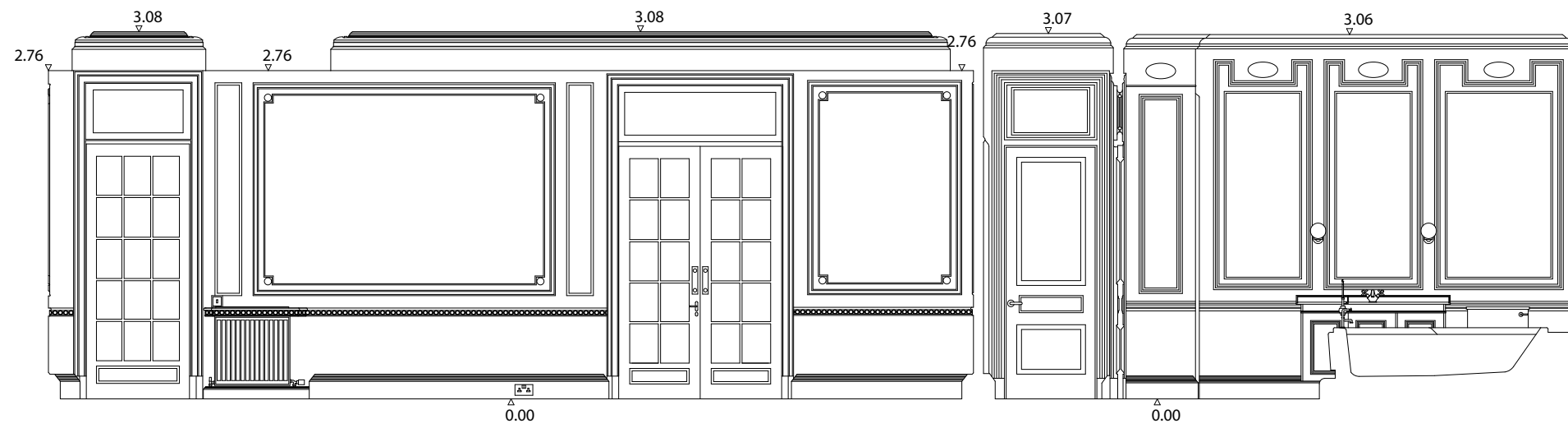
Section 14-14



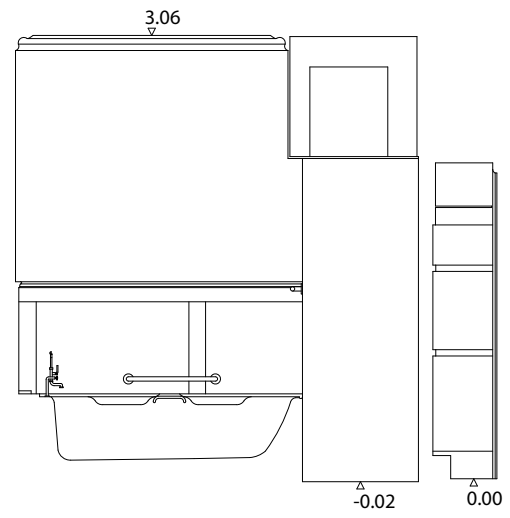
Section 11-11



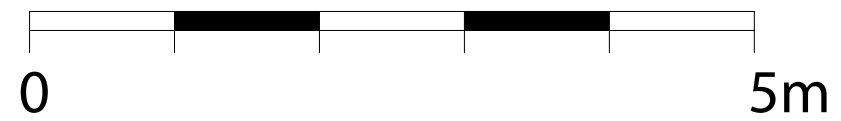
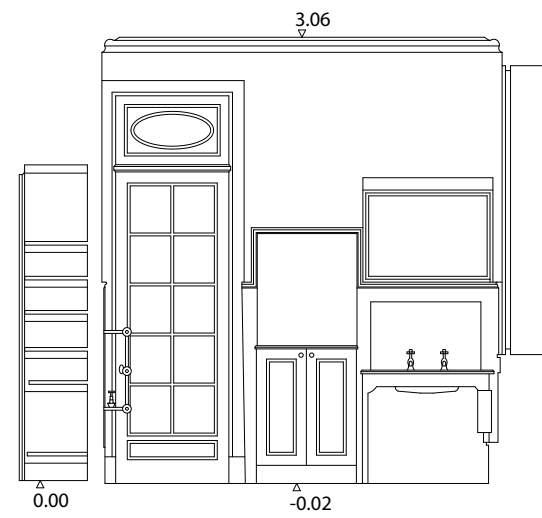
Section 12-12



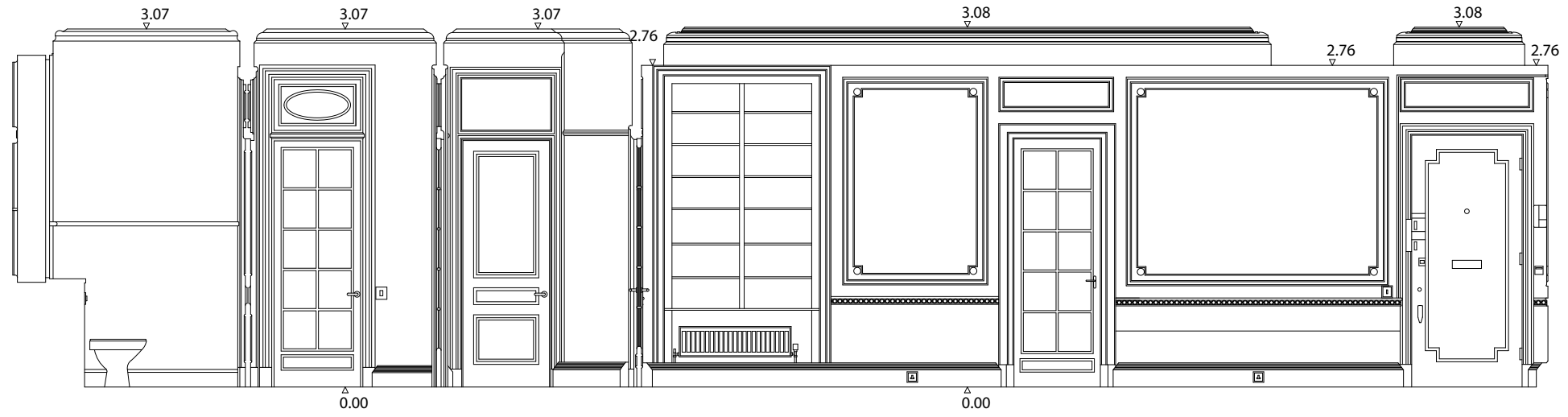
Section 7-7



Section 8-8



Section 9-9



Section 10-10

